

USB Flash Disk Specification

Model Name :

**KU201G-KGD6MMIRH
KU201G-KGD6SMIRH
KU202G-KGE7MMIWH
KU204G-KGE7MMIBH
KU204G-KGF7MMIBH
KU208G-KGF7MMILH
KU208G-KGG2MMILH
KU216G-KGG2MMINH
KU216G-KGG2SMINH**

**Ver 1.0
07/31/2008**

Features

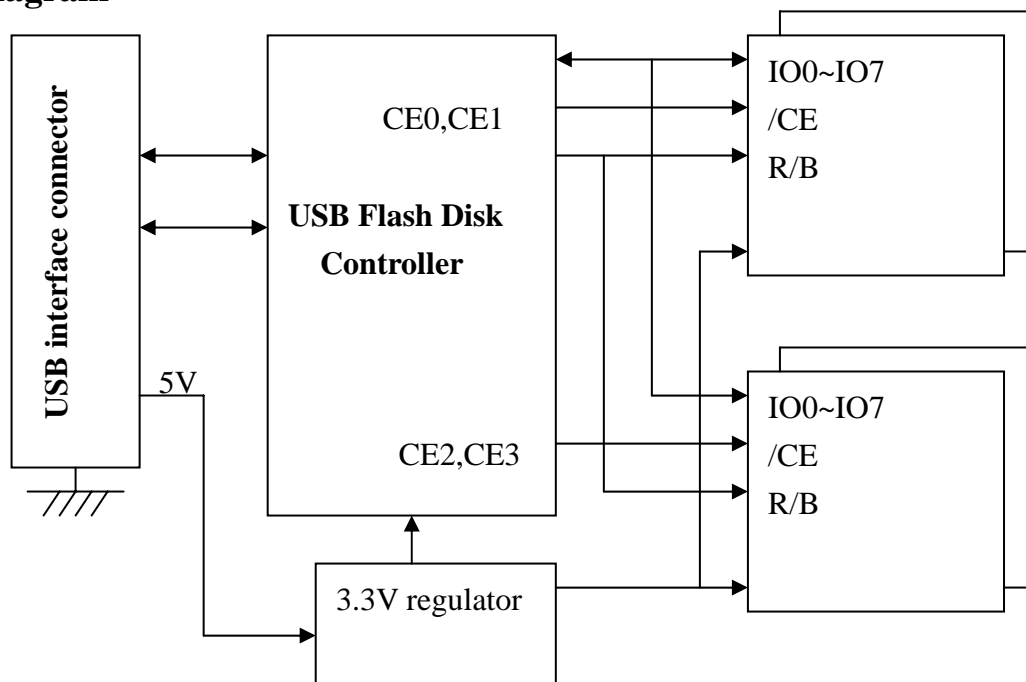
- Capacity:1GB~16GBytes
- Complied with high-speed USB 2.0 interface, backward compatible with USB 1.1
- Complied with USB Mass Storage Class specification v1.0
- Complied with USB bus-powered devices specification
- Meet USB bus power specification
- Higher reliability: 13-bit BCH error correction code(ECC) capability
- Hot plug and play for data access any time.
- Support OS
Win Vista,XP, Win 2000, Windows Me, 98SE, Linux 2.4 above and MAC OS 9.0 and higher.
- Support Ready Boost™
- High speed performance
 - Conforms to USB 2.0 high speed 480Mb/S.
 - Data Read transfer rate: 21MB/S (MAX)
 - Data Write transfer rate:10MB/S (MAX)
- Support power save mode.
- Enable Multi-Partition features:
 - One Read-only Partition, two Read-Write Partitions and one Hidden Partition.
 - Read-only Partition is designated for AutoRun feature.
 - U Drive can have up to two LUNs due to two Read-Write Partitions.
 - Each Read-Write Partition can be divided into Public Zone and Private Zone further.
 - Private Zone can be protected by password.
 - Capacity of each Partition and Zone can sizeable while factory initialization or by application program through vendor specific command.
- Easy to use, just plug into USB port, don't need external power
- LED indication
- Endurance Cycle: 10000 times
- Data retention: 10 years
- CE and FCC certificates
- Dimension:
18.0mm(W) x 62.0mm(L) x 9.2mm(T)

Description

These USB flash disk are highly integrated flash memories with serial and random access capability. It is accessible via USB interface optimized for fast and reliable data transmission. USB flash disk provide most cost effective solution for solid state mass storage market. Easy to use plug into USB port, just like a floppy disk, only it has high capacity and faster transferring rate.

USB flash disk provide multiple LUN driver that can be partition to three of different type. Single LUN without security,or single LUN with security or multi LUN with security. Use security (password) function , easy to protect important data. These USB flash disk is an optimum solution for large nonvolatile storage. Conveniently carry around, hot plug and play for data access anytime.

Block Diagram



Pin Description

Pin Name	Function
USB+	USB differential signal
USB-	USB differential signal
VSS	GND
VCC	USB Power Input

DC Characteristics

Symbol	Description	Min.	Typ.	Max.	Unit
V_{Vbus}	USB +5.0V Input Voltage	4.40	5.0	5.25	V
I_{DD}	Operating Current		110		mA

Recommended Operation Rating

1. Operation temperature range: 0°C~70°C
2. Storage temperature range: -40°C~85°C
3. USB connector Durability: 10000 times.
4. ESD : contact -4KV~4KV
Air discharge: -8K~8KV

Physical Outline

