

Date	Revision	Item
July 06 2007	Ver1.0	First released

USB Flash Disk Specification

Model Name :

**KU201G-KDD6HMExG
KU201G-KDD6SMExG
KU202G-KDD6HMExG
KU202G-KDE7SMExG
KU204G-KDE9MMExG
KU204G-KDF6MMExG
KU204G-KDF6SMExG
KU208G-KDF6MMExG
KU208G-KDF6SMExG**

**Ver 1.0
07/06/2007**

Features

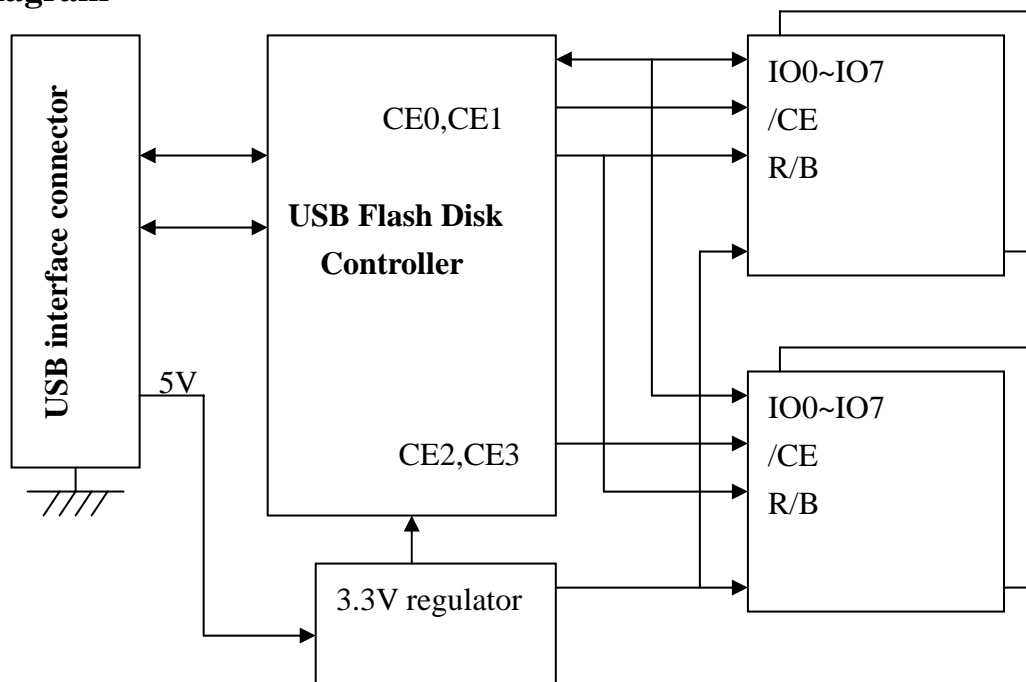
- Capacity:1GB~8GBytes
- Complied with high-speed USB 2.0 interface, backward compatible with USB 1.1
- Complied with USB Mass Storage Class specification v1.0
- Complied with USB bus-powered devices specification
- Meet USB bus power specification
- Higher reliability: 4-symbols error correction (ECC) capability
- Hot plug and play for data access any time.
- Support OS
Win Vista,XP, Win 2000, Windows Me, Linux 2.4 above and MAC OS 9.0 and higher.
- Support Ready Boost™
- Support Multi Partition features
- Easy to use, just plug into USB port, don't need external power
- High speed performance
 - Conforms to USB 2.0 high speed 480Mb/S.
 - Data Read transfer rate: 20MB/S (MAX)
 - Data Write transfer rate:13.5MB/S (MAX)
- Support power save mode.
- Support security (password) AP.
- LED indication
- Endurance Cycle: 10000 times
- Data retention: 10 years
- CE and FCC certificates
- Dimension:
16.7mm(W) x 63.0mm(L) x 8.7mm(T)

Description

These USB flash disk are highly integrated flash memories with serial and random access capability. It is accessible via USB interface optimized for fast and reliable data transmission. USB flash disk provide most cost effective solution for solid state mass storage market. Easy to use plug into USB port, just like a floppy disk, only it has high capacity and faster transferring rate.

USB flash disk provide multiple LUN driver that can be partition to three of different type. Single LUN without security, or single LUN with security or multi LUN with security. Use security (password) function , easy to protect important data. These USB flash disk is an optimum solution for large nonvolatile storage. Conveniently carry around, hot plug and play for data access anytime.

Block Diagram



Pin Description

Pin Name	Function
USB+	USB differential signal
USB-	USB differential signal
VSS	GND
VCC	USB Power Input

DC Characteristics

Symbol	Description	Min.	Typ.	Max.	Unit
V _{Vbus}	USB +5.0V Input Voltage	4.40	5.0	5.25	V
I _{DD}	Operating Current		80		mA

Recommended Operation Rating

1. Operation temperature range: 0°C~70°C
2. Storage temperature range: -40°C~85°C
3. USB connector Durability: 10000 times.
4. ESD : contact -4KV~4KV
5. Air discharge: -8K~8KV

Performance**A: OS: Windows 2000****Test Program : FD Bench Ver 1.01****Unit: KB/s**

Model	Sequential Read	Sequential Write	Random Read	Random Write
KU201G-KDD6HMEExG	15905	3839	15905	864
KU201G-KDD6SMEExG	16973	4449	16934	1696
KU202G-KDD6HMEExG	16339	3859	16138	864
KU202G-KDE7SMEExG	20670	7001	20345	2815
KU204G-KDE9MMEExG	20285	13593	18253	2656
KU204G-KDF6MMEExG	20932	10940	19441	3374
KU204G-KDF6SMEExG	17567	13794	16873	2542
KU208G-KDF6MMEExG	20285	11849	18882	3723
KU208G-KDF6SMEExG	17567	11475	16100	3082

B: OS: Windows XP**Test Program : FD Bench Ver 1.01****Unit: KB/s**

Model	Sequential Read	Sequential Write	Random Read	Random Write
KU201G-KDD6HMEExG	15866	1897	15942	867
KU201G-KDD6SMEExG	16976	4409	16976	1698
KU202G-KDD6HMEExG	16381	1886	16300	866
KU202G-KDE7SMEExG	20345	6639	19620	2829
KU204G-KDE9MMEExG	20285	12433	20414	4198
KU204G-KDF6MMEExG	20225	9402	20285	3452
KU204G-KDF6SMEExG	17471	11417	17155	2575
KU208G-KDF6MMEExG	20285	9229	20349	3489
KU208G-KDF6SMEExG	17474	8819	17288	2893

Physical Outline

